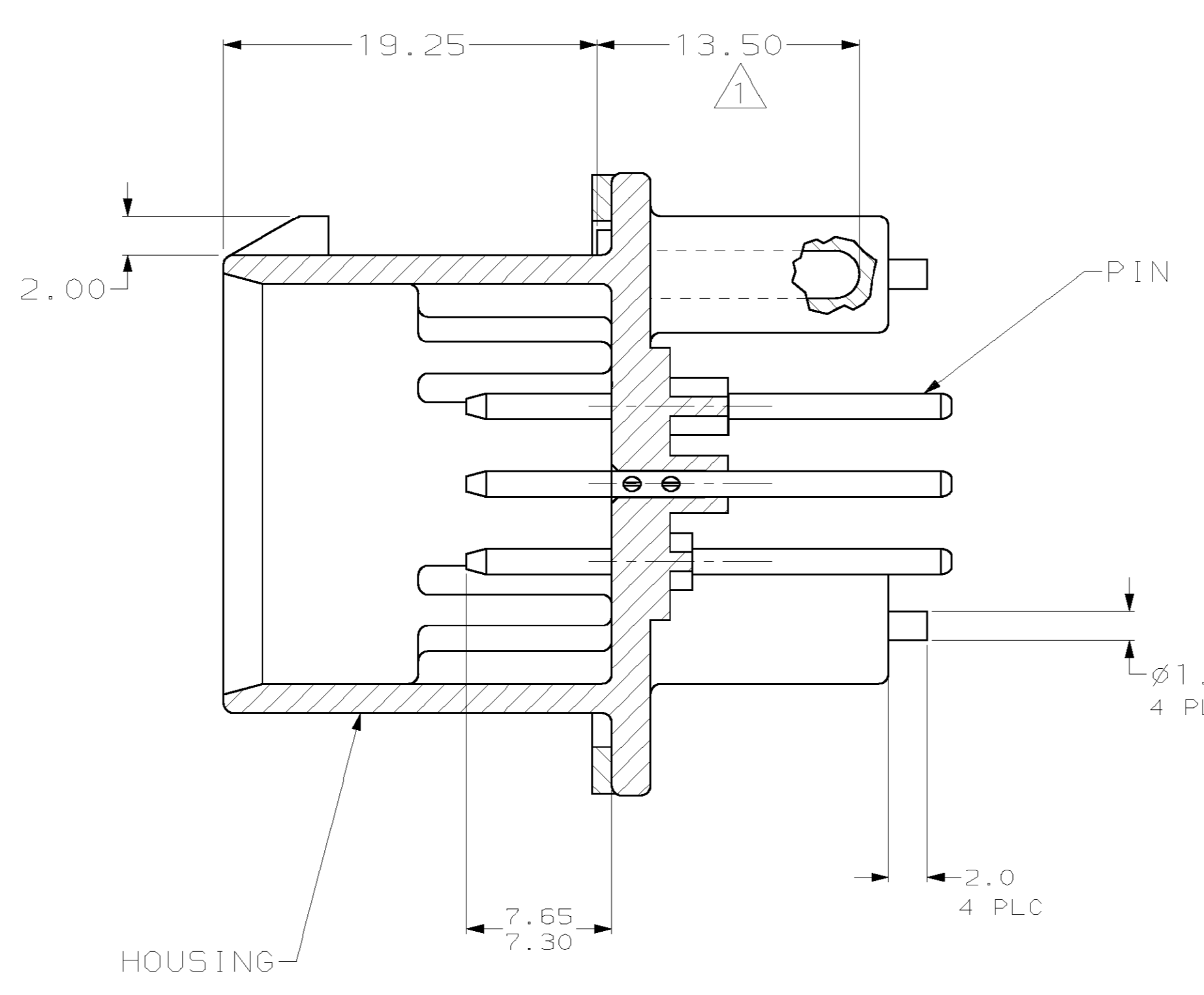
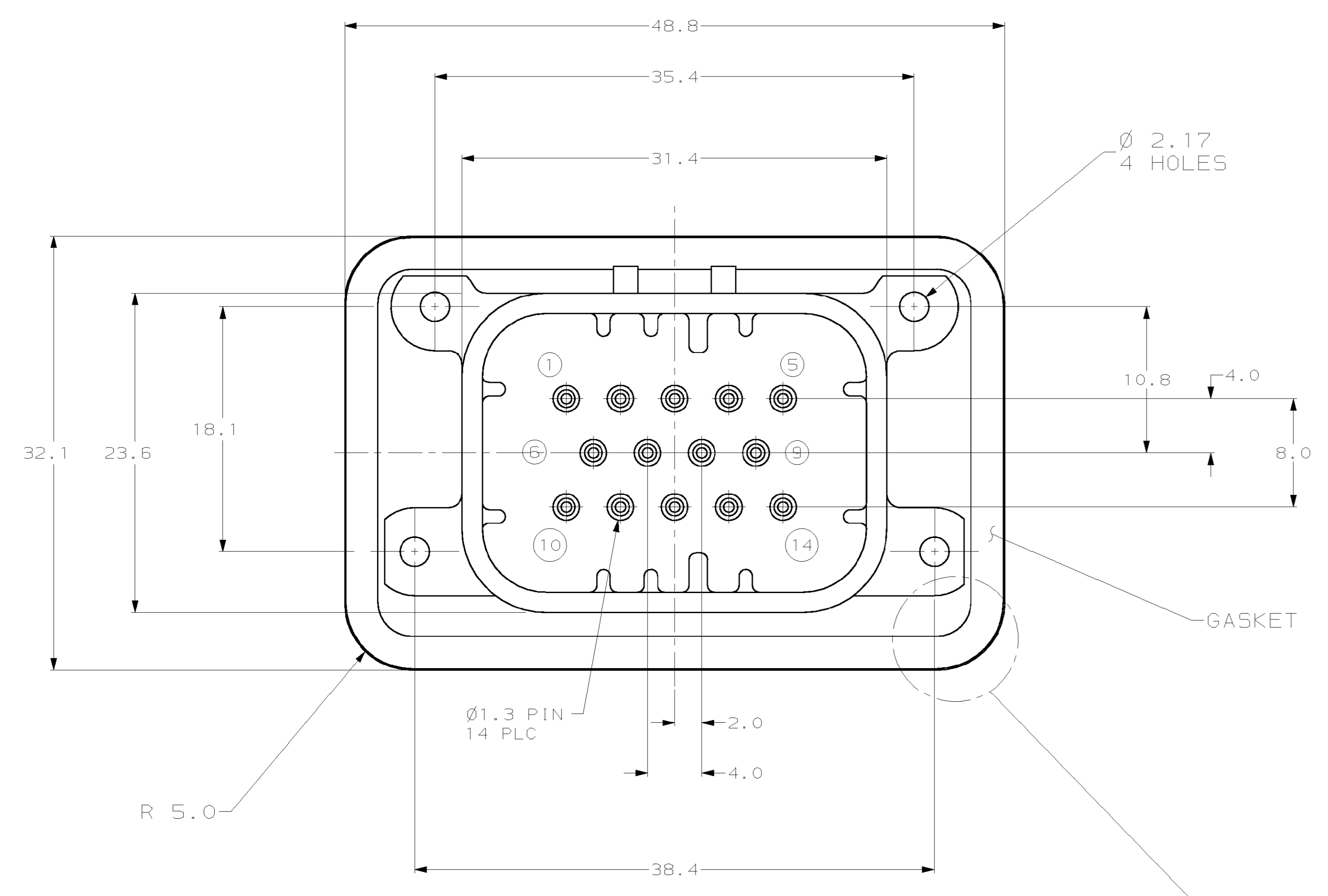
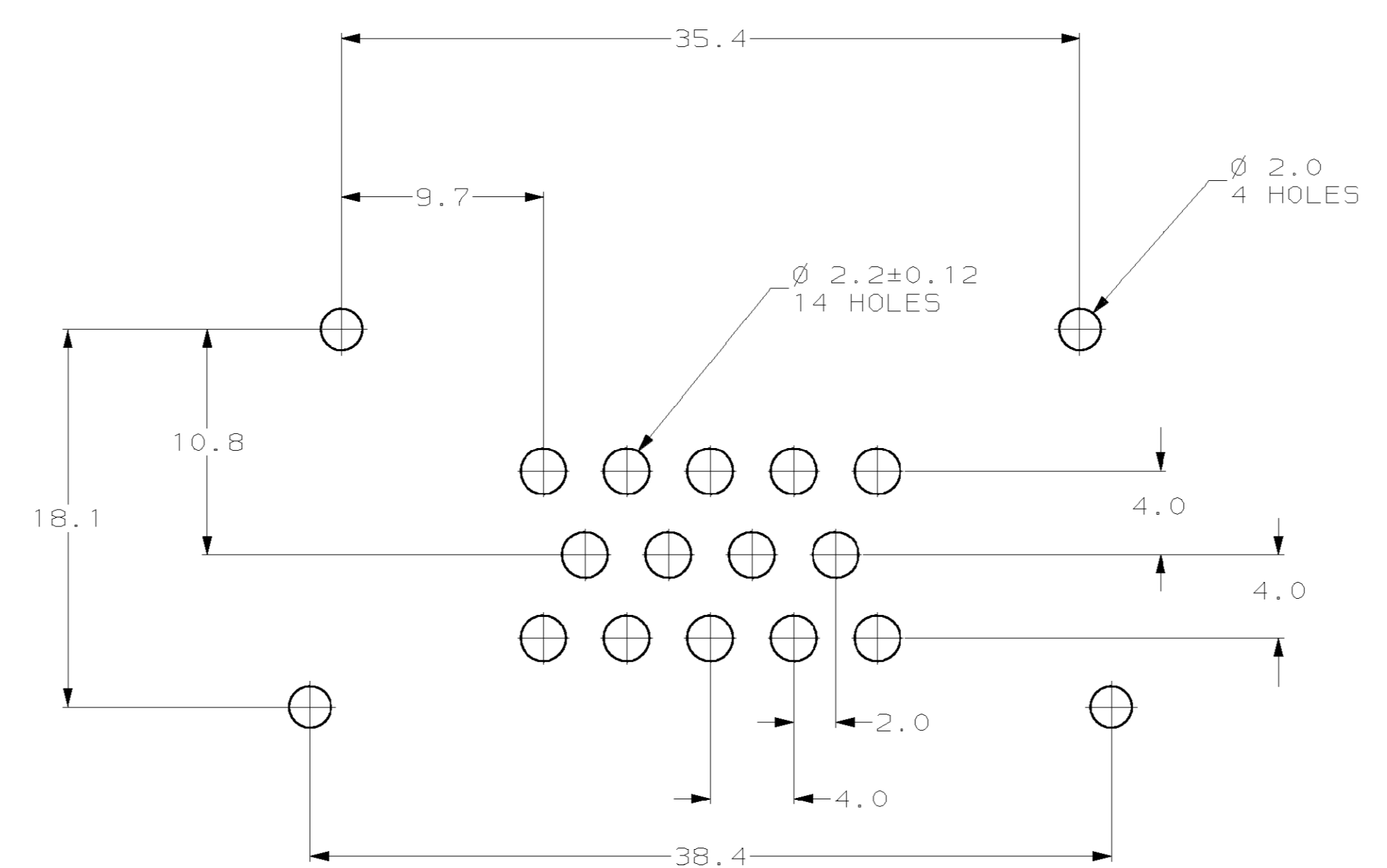
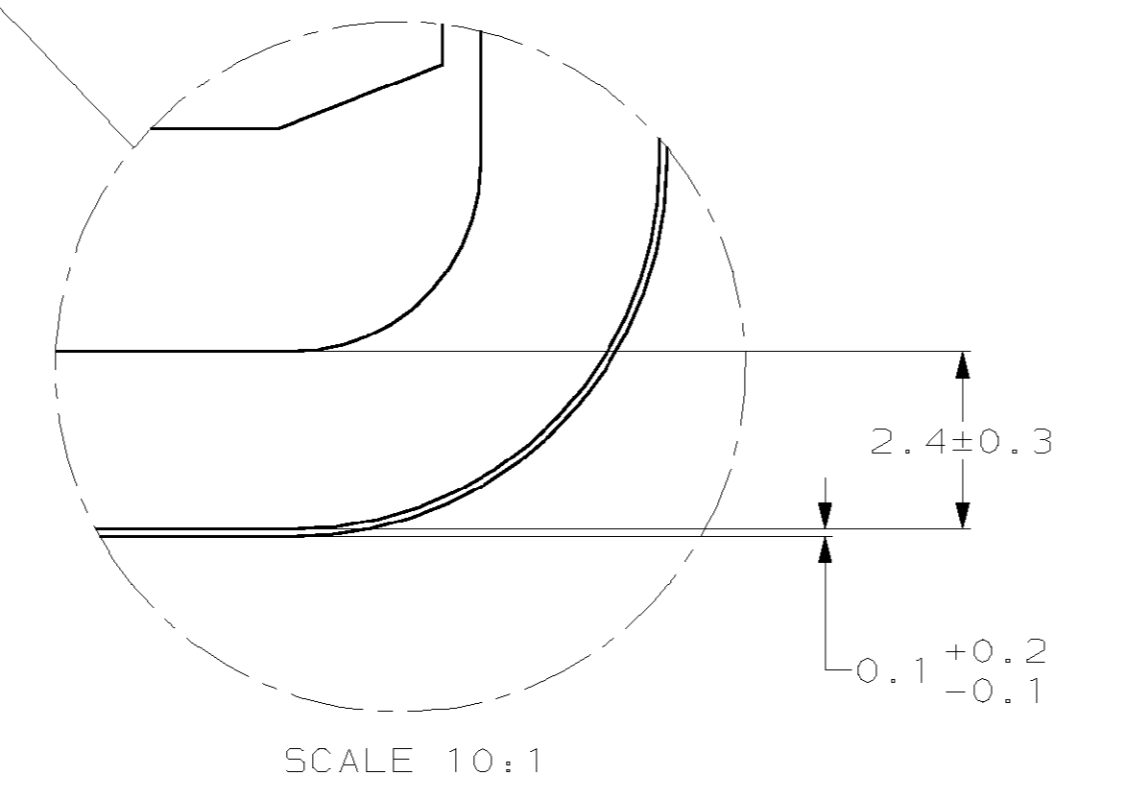
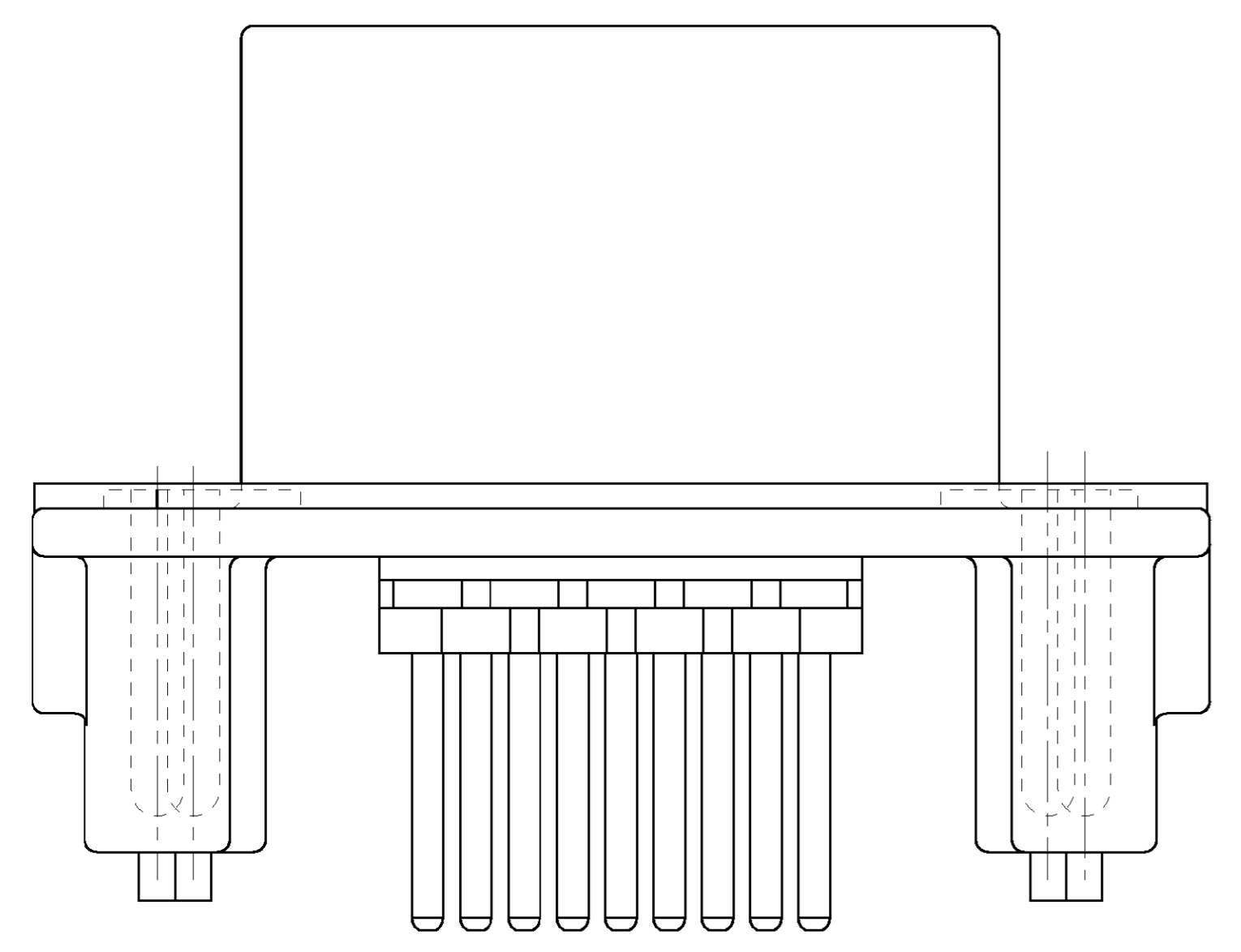


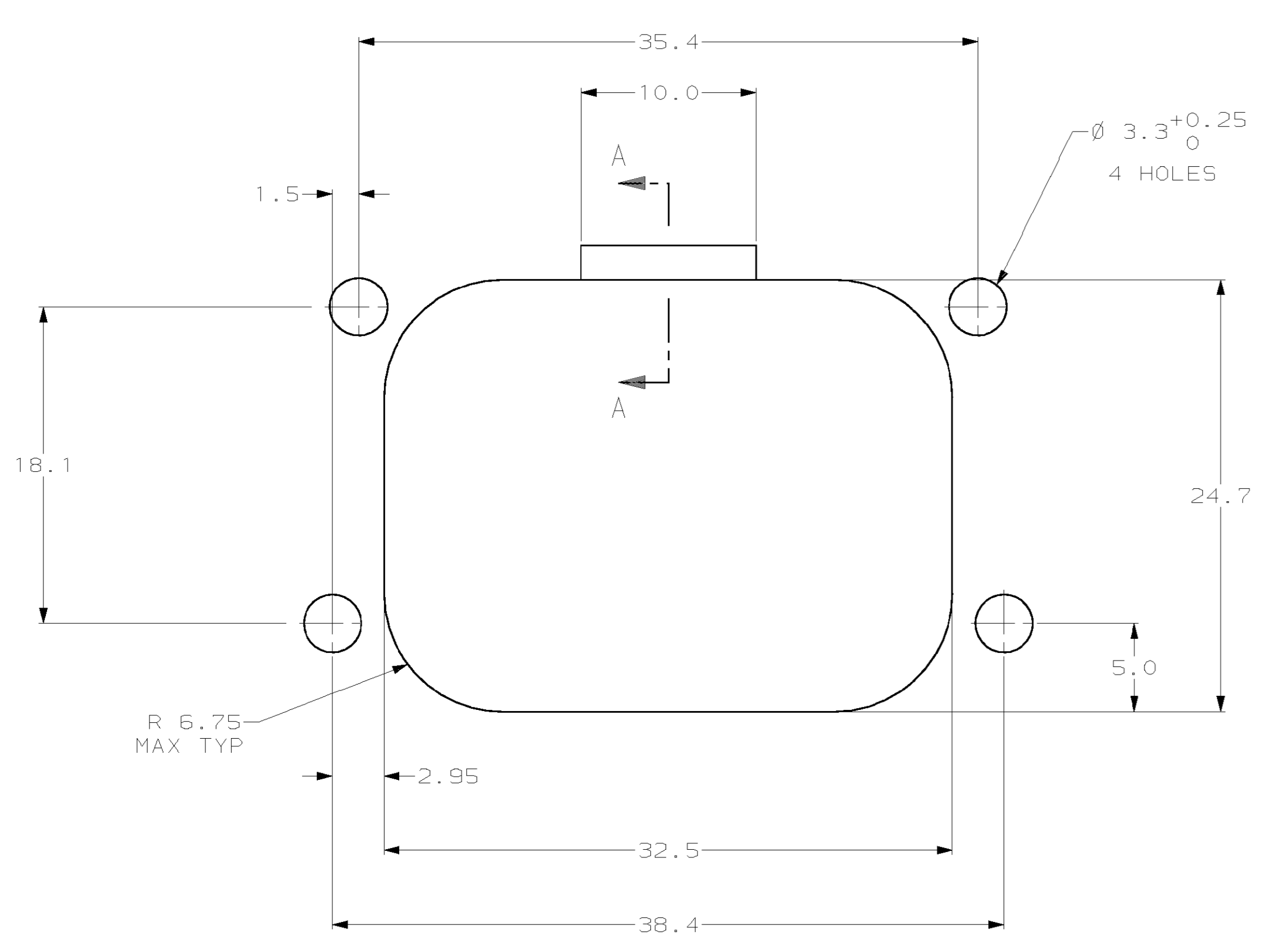
REVISONS		DATE	BY	CHKD	APP'D
0	REL PER PR# 98-28	9-3-98	PC	DC	
A	REV PER EC# 0K40-0025-00	2-4-00	PC	DC	



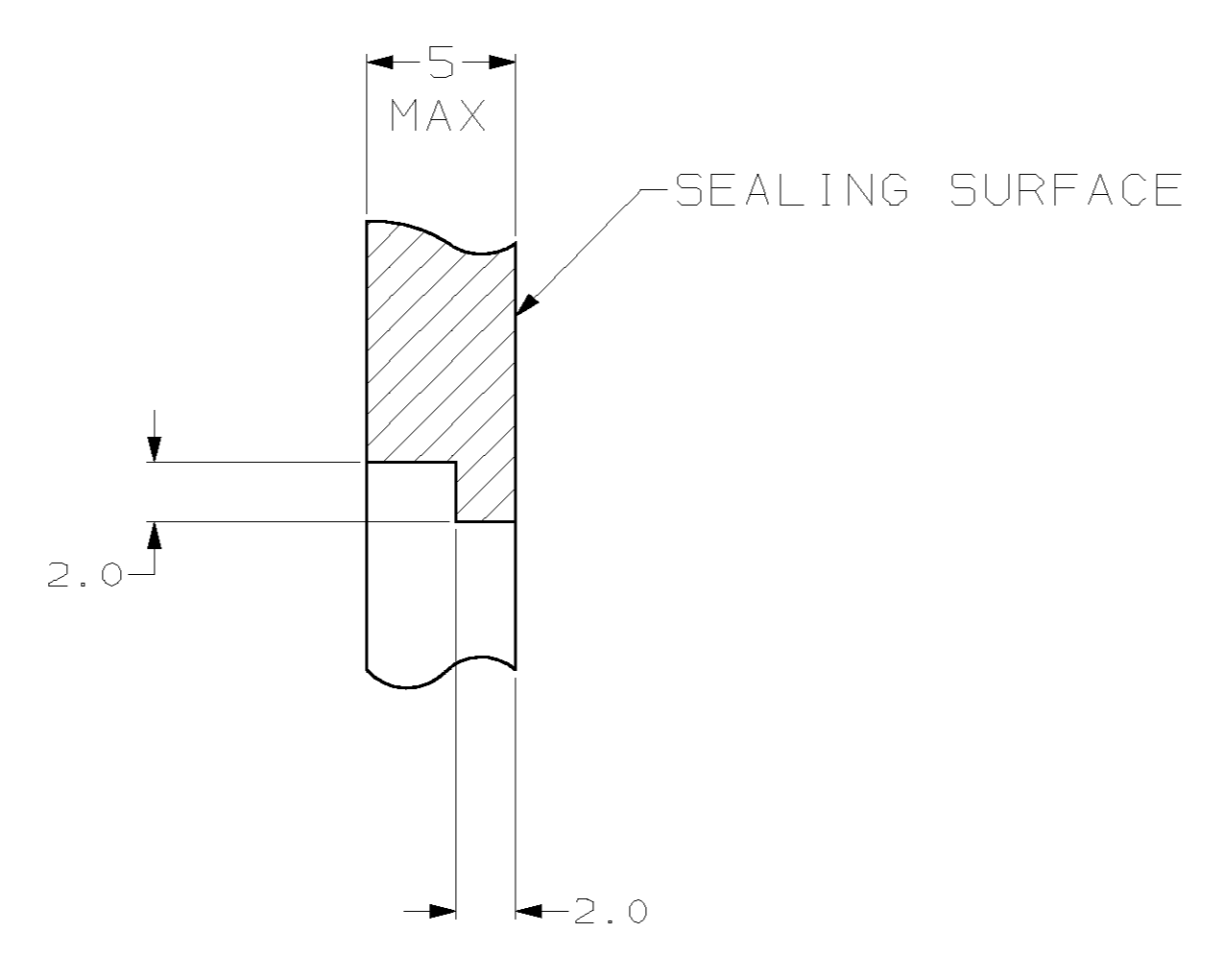
- △ ACCEPTS #4 SELF TAPPING SCREW (ELCO H1-L0 THREAD CUTTING STYLE OR EQUIVALENT) TO BE DRIVEN AT 0.5±0.2 N-M.
- △ GASKET MATERIAL: SILICONE
- △ HOUSING COLORS ARE MECHANICALLY KEYED TO MATE WITH IDENTICALLY COLORED PLUG ASSEMBLIES.



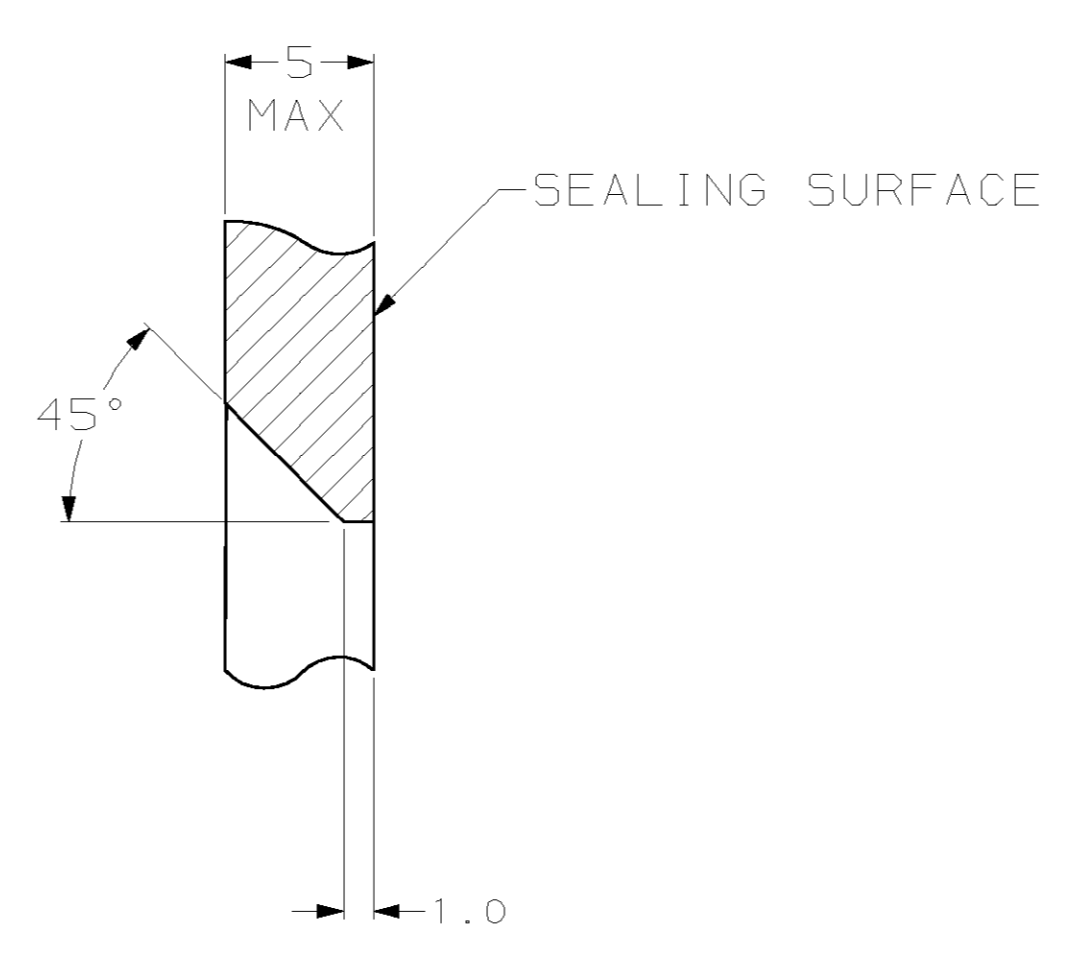
RECOMMENDED P.C. BOARD LAYOUT FOR 1.57 THICK P.C. BOARD



RECOMMENDED MOUNTING HOLE LAYOUT FOR 5.0 MAX THICK PANEL



SECTION A-A
OPTIONAL CONSTRUCTION IF THICKNESS IS GREATER THAN 2.0



SECTION A-A
OPTIONAL CONSTRUCTION IF THICKNESS IS GREATER THAN 2.0

△	BLUE	DURAGOLD PLATED	1-776262-5
△	GRAY	DURAGOLD PLATED	1-776262-4
△	NATURAL	DURAGOLD PLATED	1-776262-2
△	BLACK	DURAGOLD PLATED	1-776262-1
△	BLUE	TIN PLATED	776262-5
△	GRAY	TIN PLATED	776262-4
△	NATURAL	TIN PLATED	776262-2
△	BLACK	TIN PLATED	776262-1
GASKET MATERIAL		△ 3	
HEADER HOUSING COLOR			
PIN			
PART NUMBER			

DESIGNER: J.C. COLLINS 9-3-98	DATE: 9-3-98	AMP Incorporated Harrisburg, PA 17105-3608
DRAWN: J.C. COLLINS 9-3-98	DATE: 9-3-98	
CHECKED: J.C. COLLINS 9-3-98	DATE: 9-3-98	ASSEMBLY, HEADER, 14 POSITION, VERTICAL, AMPSEAL™
APPROVED: J.C. COLLINS 9-3-98	DATE: 9-3-98	
REV: 0	DESCRIPTION: 108-1323	SCALE: 1:1
REV: A	DESCRIPTION: 114-16016	SCALE: 1:1
CUSTOMER DRAWING		SCALE: 1:1